

TITAN *ccw*

VACUUM/PRESSURE PUMP

407 CFM



Over 115 Years of Excellence

Masport Rotary Vane Pumps are designed and engineered to give you the reliable pumping performance you need for the task at hand. With long hours and waste to be removed, you need a pump you can rely on. With over 100 years of experience in the vacuum/pressure pump industry, you can be confident in choosing Masport pumps and systems for your vacuum pump needs.

Built to work as hard as you do.

CUSTOMER SERVICE WHEN YOU NEED IT

Our customers are our top priority. Any questions you have about your vacuum pump set-up, we're help you along the way.



QUALITY & PERFORMANCE

- ▶ Designed for Tank Sizes 2,500 - 6,000 gallons
- ▶ 407 CFM
- ▶ 3" NPT Connections
- ▶ Fan Cooled
 - Large fan for superior cooling
- ▶ Achieve Minimum 27"HG (Intermittent)
- ▶ 1-Year Performance Warranty

DESIGNED FOR DURABILITY & EASY OPERATION

- ▶ Heat Stabilized Kevlar Vanes
- ▶ Heavy-Duty Bearings
 - For longer pump life
- ▶ Viton Oil Seals and Endcover O-Rings
 - Reduces air or oil leakage
- ▶ Durable, High-Temperature, Translucent Oil Lines
- ▶ End Thrust Protection
 - Prevents rotor-to-end cover contact and wear

INTEGRATED COMPONENTS

- Pump Identifier Tag with QR Code
 - Quickly scan for replacement parts, manuals, and more
- Automatic Beka Oil Pump
- Oil Pump Cover
 - To protect the life of oil pump
- Pre-Filter with Washable Stainless Steel Filter
- Vacuum Relief Valve

TITAN *CCW* // VACUUM / PRESSURE PUMP

Performance Data – Vacuum

PUMP R.P.M	DISPLACEMENT C.F.M	S.C.F.M and A.C.F.M @ VACUUM											MAXIMUM VACUUM – “Hg	
		5	10	15	18	20	22	24	25	26	27	CONTINUOUS	INTERMITTENT	
1200	343	SCFM	247	187	132	100	81	60	42	22	13	5	22	27
		ACFM	297	282	264	250	246	229	214	136	101	50		
1400	407	SCFM	345	282	163	152	117	94	67	48	24	15	20	27
		ACFM	377	340	326	304	293	285	259	241	152	112		

Performance Data – Pressure

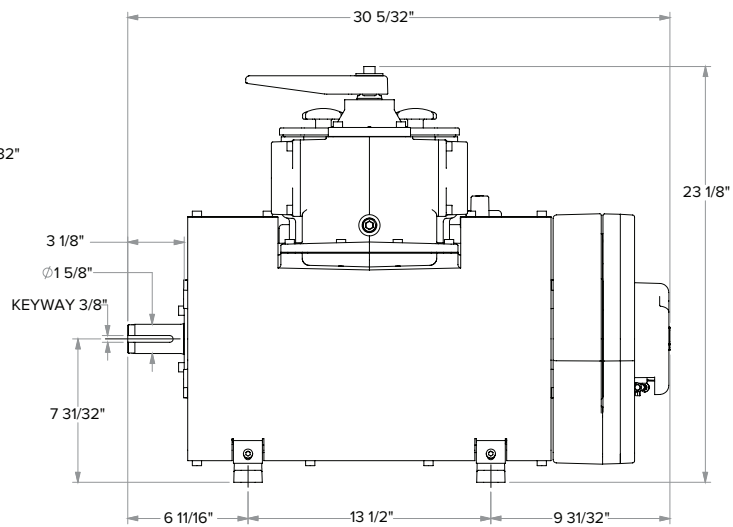
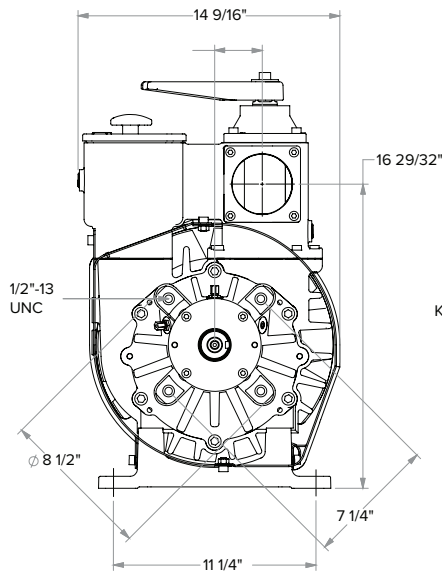
PUMP R.P.M	DISPLACEMENT C.F.M	S.C.F.M @ P.S.I.G							MAXIMUM PRESSURE – P.S.I.G	
		5	10	15	18	20	25	30	CONTINUOUS	INTERMITTENT
1200	343	285	251	244	239	233	230	215	20	30
1400	407	377	313	297	283	279	275	270	20	30

Horsepower Required @ “Hg

PUMP R.P.M	VACUUM “Hg				
	5	10	15	20	27
1200	15	15	15	15	15
1400	19	19	19	19	19

Horsepower Required @ P.S.I.G

PUMP R.P.M	P.S.I.G					
	5	10	15	20	25	30
1200	20	22	26	30	35	38
1400	25	27	31	36	40	45



Explore more pumping supplies online at MASPORTPUMP.COM

Pump Replacement Parts
Rebuild, Gasket & Seal, and Vane Kits

Pump Fluids
Vacuum Pump Oil and Flushing Fluid

Vacuum Tank Components
Sight Glasses, Oil Separators, Scrubbers, and more.

Gearboxes, Couplers, and Bases
Superior Brand Gearboxes, Rexnord & Woods Couplers, and more.