

# HD75V

## VACUUM/PRESSURE PUMP (CCW OR CW)

**230 CFM**



*Over 115 Years of Excellence*

Masport Rotary Vane Pumps are designed and engineered to give you the reliable pumping performance you need for the task at hand. With long hours and waste to be removed, you need a pump you can rely on. With over 100 years of experience in the vacuum/pressure pump industry, you can be confident in choosing Masport pumps and systems for your vacuum pump needs.

*Built to work as hard as you do.*

### CUSTOMER SERVICE WHEN YOU NEED IT

Our customers are our top priority. Any questions you have about your vacuum pump set-up, we're help you along the way.



### QUALITY & PERFORMANCE

- ▶ Designed for Tank Sizes 1,500 - 2,500 gallons
- ▶ 230 CFM
- ▶ 3" NPT Connections
- ▶ Air Cooled
- ▶ Available in CW/CCW Rotations
- ▶ Achieve Minimum 27" HG (Intermittent)
- ▶ 1-Year Performance Warranty

### DESIGNED FOR DURABILITY & EASY OPERATION

- ▶ Heat Stabilized Kevlar Vanes
- ▶ Heavy-Duty Bearings and Viton Oil Seals
  - For longer pump life
- ▶ Durable, High-Temperature, Translucent Oil Lines
- ▶ End Thrust Protection
  - Prevents rotor-to-end cover contact and wear

### INTEGRATED COMPONENTS

- Pump Identifier Tag with QR Code
  - Quickly scan for replacement parts, manuals, and more
- Oil Pump Cover
  - To protect the life of oil pump
- Automatic Beka Oil Pump
- Vacuum Relief Valve

# HD75V // VACUUM / PRESSURE PUMP

## Performance Data – Vacuum

PUMP R.P.M	DISPLACEMENT C.F.M	S.C.F.M and A.C.F.M @ VACUUM											MAXIMUM VACUUM – “Hg	
		5	10	15	18	20	22	24	25	26	27	CONTINUOUS	INTERMITTENT	
1100	196	SCFM	140	110	79	61	47	36	22	15	9	3	20	27
		ACFM	168	165	158	152	142	134	111	92	66	30		
1250	230	SCFM	162	127	92	71	55	43	26	18	10	3.5	20	27
		ACFM	195	190	184	177	164	160	129	108	77	35		

## Performance Data – Pressure

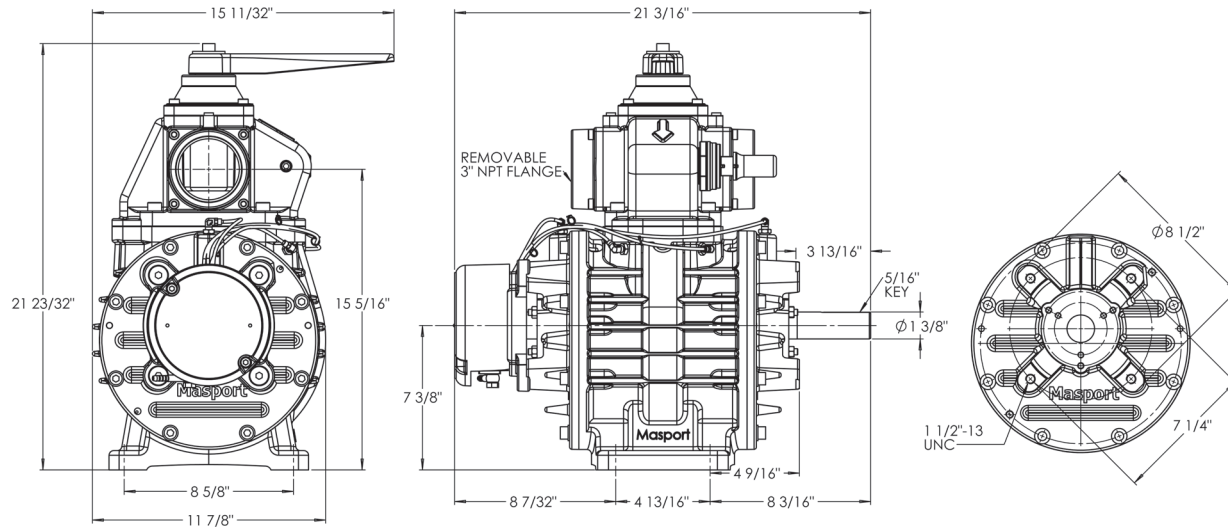
PUMP R.P.M	DISPLACEMENT C.F.M	S.C.F.M @ P.S.I.G							MAXIMUM PRESSURE – P.S.I.G	
		5	10	15	18	20	25	30	CONTINUOUS	INTERMITTENT
1100	196	168	168	152	143	134	127	119	20	25
1250	230	193	184	175	165	154	146	136	20	25

## Horsepower Required @ “Hg

PUMP R.P.M	VACUUM “Hg				
	5	10	15	20	27
1100	6.9	8.1	8.3	9.3	10.5
1250	7.8	9.2	9.7	10.8	12.3

## Horsepower Required @ P.S.I.G

PUMP R.P.M	P.S.I.G				
	5	10	15	20	25
1100	9.4	12.1	15.0	18.8	21.0
1250	11.0	14.2	17.7	20.9	24.6



Explore more pumping supplies online at [MASPORTPUMP.COM](http://MASPORTPUMP.COM)

**Pump Replacement Parts**  
Rebuild, Gasket & Seal, and Vane Kits

**Pump Fluids**  
Vacuum Pump Oil and Flushing Fluid

**Vacuum Tank Components**  
Sight Glasses, Oil Separators, Scrubbers, and more.

**Gearboxes, Couplers, and Bases**  
Superior Brand Gearboxes, Rexnord & Woods Couplers, and more.