

HD3V

VACUUM/PRESSURE PUMP

112 CFM



Over 115 Years of Excellence

Masport Rotary Vane Pumps are designed and engineered to give you the reliable pumping performance you need for the task at hand. With long hours and waste to be removed, you need a pump you can rely on. With over 100 years of experience in the vacuum/pressure pump industry, you can be confident in choosing Masport pumps and systems for your vacuum pump needs.

Built to work as hard as you do.

CUSTOMER SERVICE WHEN YOU NEED IT

Our customers are our top priority. Any questions you have about your vacuum pump set-up, we're help you along the way.



QUALITY & PERFORMANCE

- ▶ Designed for Tank Sizes up to 1000 gallons
- ▶ 112 CFM
- ▶ 1 ½" NPT Connections
- ▶ Air Cooled
- ▶ Achieve Minimum 27"HG (Intermittent)
- ▶ 1-Year Performance Warranty

DESIGNED FOR DURABILITY & EASY OPERATION

- ▶ Heat Stabilized Kevlar Vanes
- ▶ Heavy-Duty Bearings and Viton Oil Seals
 - For longer pump life
- ▶ Durable, High-Temperature, Translucent Oil Lines
- ▶ End Thrust Protection
 - Prevents rotor-to-end cover contact and wear
- ▶ Double Shaft Rotor
 - To accommodate rotation needs

INTEGRATED COMPONENTS

- Pump Identifier Tag with QR Code
 - Quickly scan for replacement parts, manuals, and more
- Oil Reservoir
- Drippers to Adjust the Oiling Rate

HD3V // VACUUM / PRESSURE PUMP

Performance Data – Vacuum

PUMP R.P.M	DISPLACEMENT C.F.M	S.C.F.M and A.C.F.M @ VACUUM											MAXIMUM VACUUM – “Hg	
		5	10	15	18	20	22	24	25	26	27	CONTINUOUS	INTERMITTENT	
1250	78	SCFM	64	50	38	29	24	18	14	11	8	6	20	27
		ACFM	77	76	75	71	70	69	68	67	64	57		
1425	91	SCFM	73	58	43	33	27	21	15	12	9	6.2	20	27
		ACFM	88	87	86	82	81	77	75	74	69	62		
1750	112	SCFM	97	77	54	43	35	27	20	16	12	8.2	20	27
		ACFM	110	109	108	102	101	99	98	96	91	82		

Performance Data – Pressure

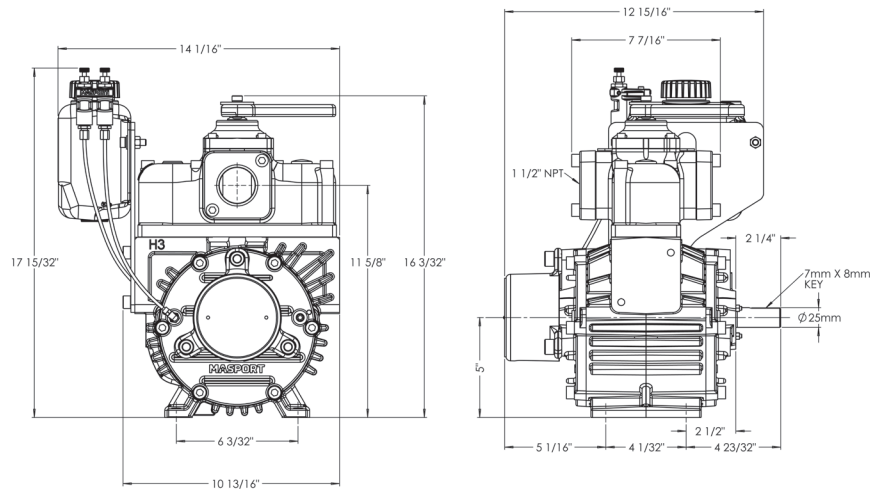
PUMP R.P.M	DISPLACEMENT C.F.M	S.C.F.M @ P.S.I.G							MAXIMUM PRESSURE – P.S.I.G	
		5	10	15	18	20	25	30	CONTINUOUS	INTERMITTENT
1250	78	71	67	64	61	59	56	54	15	15
1425	91	83	79	75	72	68	66	63	15	15
1750	112	102	97	92	88	84	81	77	15	15

Horsepower Required @ “Hg

PUMP R.P.M	VACUUM “Hg				
	5	10	15	20	27
1250	2.4	2.8	3.0	3.4	3.9
1425	2.8	3.3	3.5	3.9	4.5
1750	4.0	4.7	5.0	5.7	6.5

Horsepower Required @ P.S.I.G

PUMP R.P.M	P.S.I.G		
	5	10	15
1250	3.5	5.0	6.3
1425	4.0	5.8	7.3
1750	5.0	7.1	9.0



Explore more pumping supplies online at MASPORTPUMP.COM

Pump Replacement Parts
Rebuild, Gasket & Seal, and Vane Kits

Pump Fluids
Vacuum Pump Oil and Flushing Fluid

Vacuum Tank Components
Sight Glasses, Oil Separators, Scrubbers, and more.

Gearboxes, Couplers, and Bases
Superior Brand Gearboxes, Rexnord & Woods Couplers, and more.