

HD1F CCW

VACUUM PUMP

(VACUUM ONLY)

36 CFM



Over 115 Years of Excellence

The **HD1F CCW Vacuum Pump (Vacuum Only)** is designed and engineered to give you the reliable pumping performance you need for the task at hand. With long hours and waste to be removed, you need a pump you can rely on. With over 100 years of experience in the vacuum/pressure pump industry, you can be confident in choosing Masport pumps and systems for your vacuum pump needs.

We're here to make you the **#1 go-to pumper** to get the job done.

CUSTOMER SERVICE WHEN YOU NEED IT

Our customers are our top priority. Any questions you have about your vacuum pump set-up, we're help you along the way.



QUALITY & PERFORMANCE

- ▶ Designed for Tank Sizes 100-750 gallons
- ▶ 36 CFM
- ▶ 1" NPT Connections
- ▶ Air Cooled
- ▶ Achieve Minimum 27"HG (Intermittent)
- ▶ 1-Year Performance Warranty

DESIGNED FOR DURABILITY & EASY OPERATION

- ▶ Heat Stabilized Kevlar Vanes
- ▶ Offset Rotor Design
 - Optimizes airflow while minimizing wear on vanes and cylinders.
- ▶ Built-In Cast Iron Oil Reservoir
 - No remote oil reservoir required.
- ▶ Viton O-Ring, Endcover & Oil Seals
 - Eliminates air & oil leakage.
- ▶ End Thrust Protection
 - Prevents rotor-to-end cover contact.

INTEGRATED COMPONENTS

- Pump Identifier Tag with QR Code
 - Quickly scan for replacement parts, manuals, and more
- Built-In Drippers to Adjust the Oiling Rate
- Oil Level Monitoring Sights

HD1F CCW // VACUUM PUMP (VACUUM ONLY)

Performance Data – Vacuum

PUMP R.P.M	DISPLACEMENT C.F.M	S.C.F.M and A.C.F.M @ VACUUM											MAXIMUM VACUUM – “Hg	
		5	10	15	18	20	22	24	25	26	27	CONTINUOUS	INTERMITTENT	
1250	19	SCFM	15	12	9	6	5	4	3	2	1.3	0.8	20	27
		ACFM	18	18	17	16	15	14	13	12	10	8		
1425	23	SCFM	17	14	10	8	6	4	3	2	2	1	20	27
		ACFM	21	20	20	19	18	17	16	14	12	10		
1750	30	SCFM	23	18	13	10	8	6	5	4	3	1.7	20	27
		ACFM	28	27	27	26	25	24	23	22	20	17		

Performance Data – Pressure

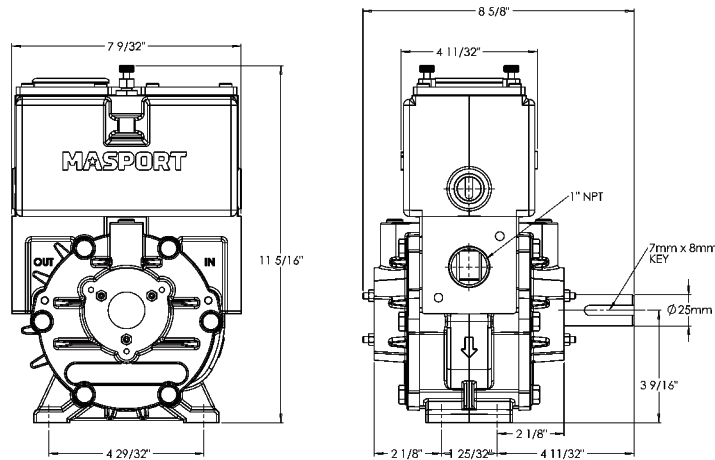
PUMP R.P.M	DISPLACEMENT C.F.M	S.C.F.M @ P.S.I.G							MAXIMUM PRESSURE – P.S.I.G	
		2	4	5	8	10	12	15	CONTINUOUS	INTERMITTENT
1250	19	18	18	17	17	16	16	15	15	15
1425	23	22	21	21	20	20	19	19	15	15
1750	30	28	27	26	26	25	25	24	15	15

Horsepower Required @ “Hg

PUMP R.P.M	VACUUM “Hg		
	15	20	27
1250	0.9	1.0	1.2
1425	1.0	1.2	1.4
1750	1.3	1.5	1.8

Horsepower Required @ P.S.I.G

PUMP R.P.M	P.S.I.G.		
	5	10	15
1250	0.9	1.3	1.6
1425	1.0	1.5	1.8
1750	1.2	1.9	2.2



Explore more pumping supplies online at MASPORTPUMP.COM

Pump Replacement Parts
Rebuild, Gasket & Seal, and Vane Kits

Pump Fluids
Vacuum Pump Oil and Flushing Fluid

Vacuum Tank Components
Sight Glasses, Oil Separators, Scrubbers, and more.

Gearboxes, Couplers, and Bases
Superior Brand Gearboxes, Rexnord & Woods Couplers, and more.