

COBRA *ccw*

VACUUM/PRESSURE PUMP

532 CFM



Over 115 Years of Excellence

Masport Rotary Vane Pumps are designed and engineered to give you the reliable pumping performance you need for the task at hand. With long hours and waste to be removed, you need a pump you can rely on. With over 100 years of experience in the vacuum/pressure pump industry, you can be confident in choosing Masport pumps and systems for your vacuum pump needs.

Built to work as hard as you do.

CUSTOMER SERVICE WHEN YOU NEED IT

Our customers are our top priority. Any questions you have about your vacuum pump set-up, we're help you along the way.



QUALITY & PERFORMANCE

- ▶ Designed for Tank Sizes 3,000 - 8,000 gallons
- ▶ 532 CFM
- ▶ 4" NPT Connections
- ▶ Fan Cooled
 - Large fan for superior cooling
- ▶ Achieve Minimum 27" HG (Intermittent)
- ▶ 1-Year Performance Warranty

DESIGNED FOR DURABILITY & EASY OPERATION

- ▶ Heat Stabilized Kevlar Vanes
- ▶ Heavy-Duty Bearings
 - For longer pump life
- ▶ Viton Oil Seals and Endcover O-Rings
 - Reduces air or oil leakage
- ▶ Durable, High-Temperature, Translucent Oil Lines
- ▶ End Thrust Protection
 - Prevents rotor-to-end cover contact and wear

INTEGRATED COMPONENTS

- Pump Identifier Tag with QR Code
 - Quickly scan for replacement parts, manuals, and more
- Automatic Beka Oil Pump
- Oil Pump Cover
 - To protect the life of oil pump
- Pre-Filter with Washable Stainless Steel Filter
- Vacuum Relief Valve

COBRA *CCW* // VACUUM / PRESSURE PUMP

Performance Data – Vacuum

PUMP R.P.M	DISPLACEMENT C.F.M	S.C.F.M and A.C.F.M @ VACUUM											MAXIMUM VACUUM – “Hg	
		5	10	15	18	20	22	24	25	26	27	CONTINUOUS	INTERMITTENT	
1300	461	SCFM	335	254	179	135	110	76	58	30	18	12	22	27
		ACFM	401	381	357	339	333	309	289	220	137	91		
1500	532	SCFM	425	311	223	206	159	128	92	65	33	21	20	27
		ACFM	510	478	447	411	387	383	351	325	206	151		

Performance Data – Pressure

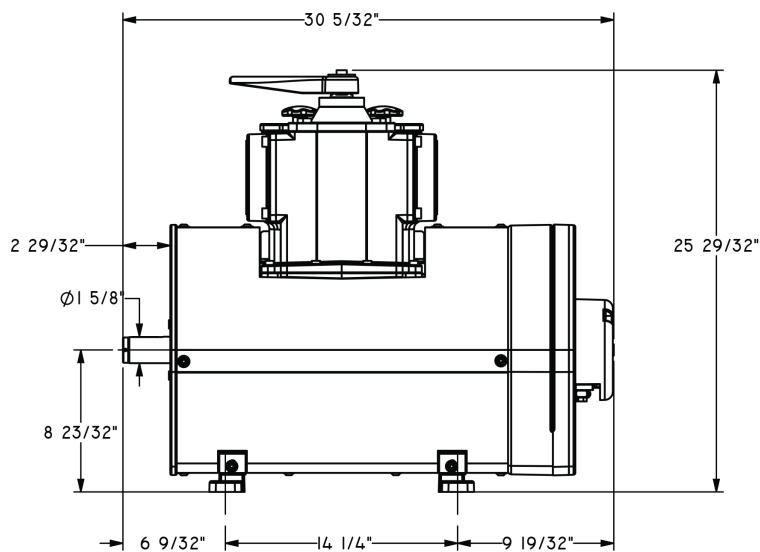
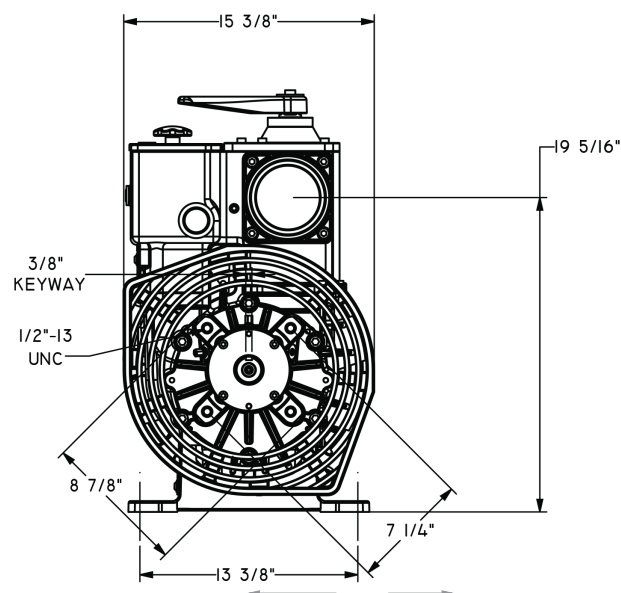
PUMP R.P.M	DISPLACEMENT C.F.M	S.C.F.M @ P.S.I.G							MAXIMUM PRESSURE – P.S.I.G	
		5	10	15	18	20	25	30	CONTINUOUS	INTERMITTENT
1300	461	411	375	348	334	330	326	319	20	30
1500	532	471	423	401	383	375	370	363	20	30

Horsepower Required @ “Hg

PUMP R.P.M	VACUUM “Hg				
	5	10	15	20	27
1300	17	17	17	17	17
1500	21	21	21	21	21

Horsepower Required @ P.S.I.G

PUMP R.P.M	P.S.I.G					
	5	10	15	20	25	30
1300	22	24	28	32	37	41
1500	27	29	33	38	42	47



Explore more pumping supplies online at MASPORTPUMP.COM

